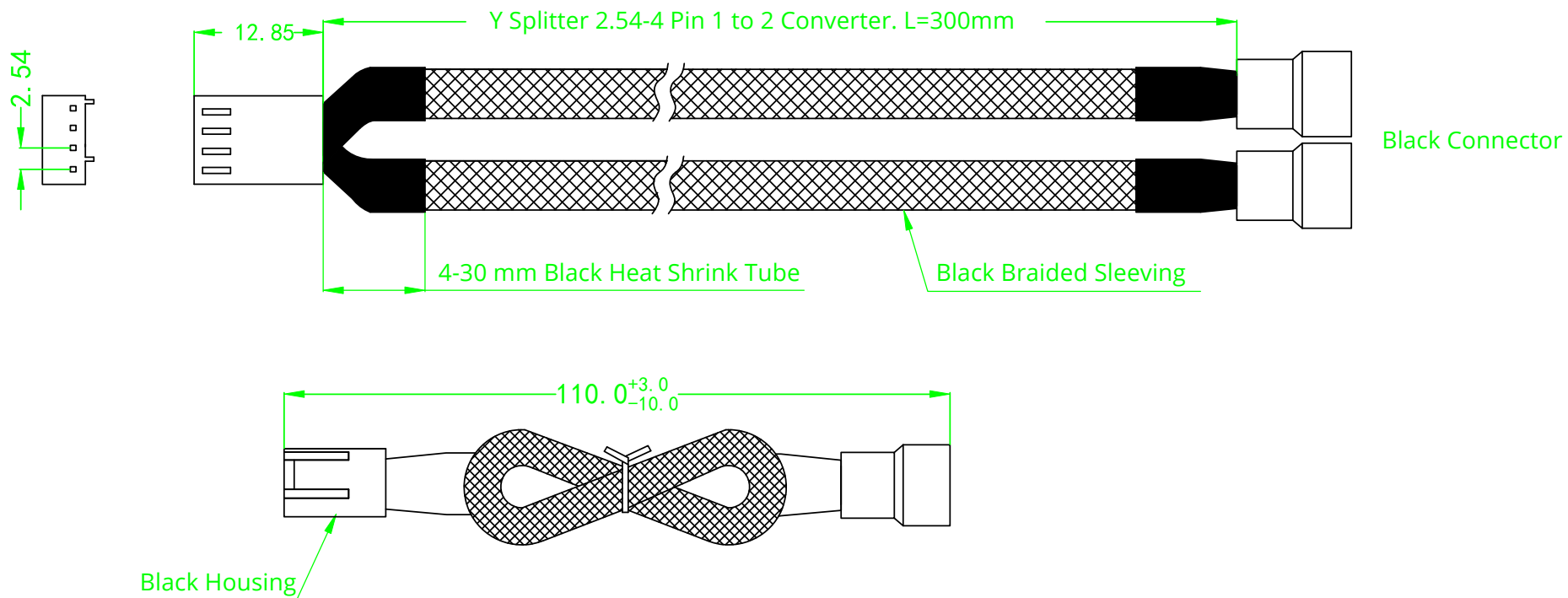


This drawing contains information proprietary to Dynatron Corp. Any reproduction, disclosure, or use of this drawing is expressly prohibited except as Dynatron Corp. May otherwise agree to in writing.



Rev#	Description	Date	Checker	Comment	Material:	Y splitter 2.54-4 Pin 1 to 2 converter (L=300 mm)			SHEET 1 OF 1
A	Initial Release	2019. 09. 12			UL1061 26AWG	Rev A	Scale: 1:1	Unit: mm	Date:2019. 09. 12
B					PROJ.	Drwan	Checked by		Approved by
C									
D									